



Implementation, Technology & Knowledge transfer

Prof. Dr. B. Heins
&

J.E. Ndzana, *Engineer*

1. INEP-Institut & the ASH-concept
2. The Code for social sustainable homes”
3. The ASH-concept for EnerKey, Gauteng
4. Work plan and deliverables [18 months]



1. INEP-Institut gGmbH: Company overview

Head office:

Oldenburg-

Gut Ohlendorf / Hainenweg 32

D-27249 Mellinghausen

Area of competence:

- Energy
- Policy
- Risk
- Social management

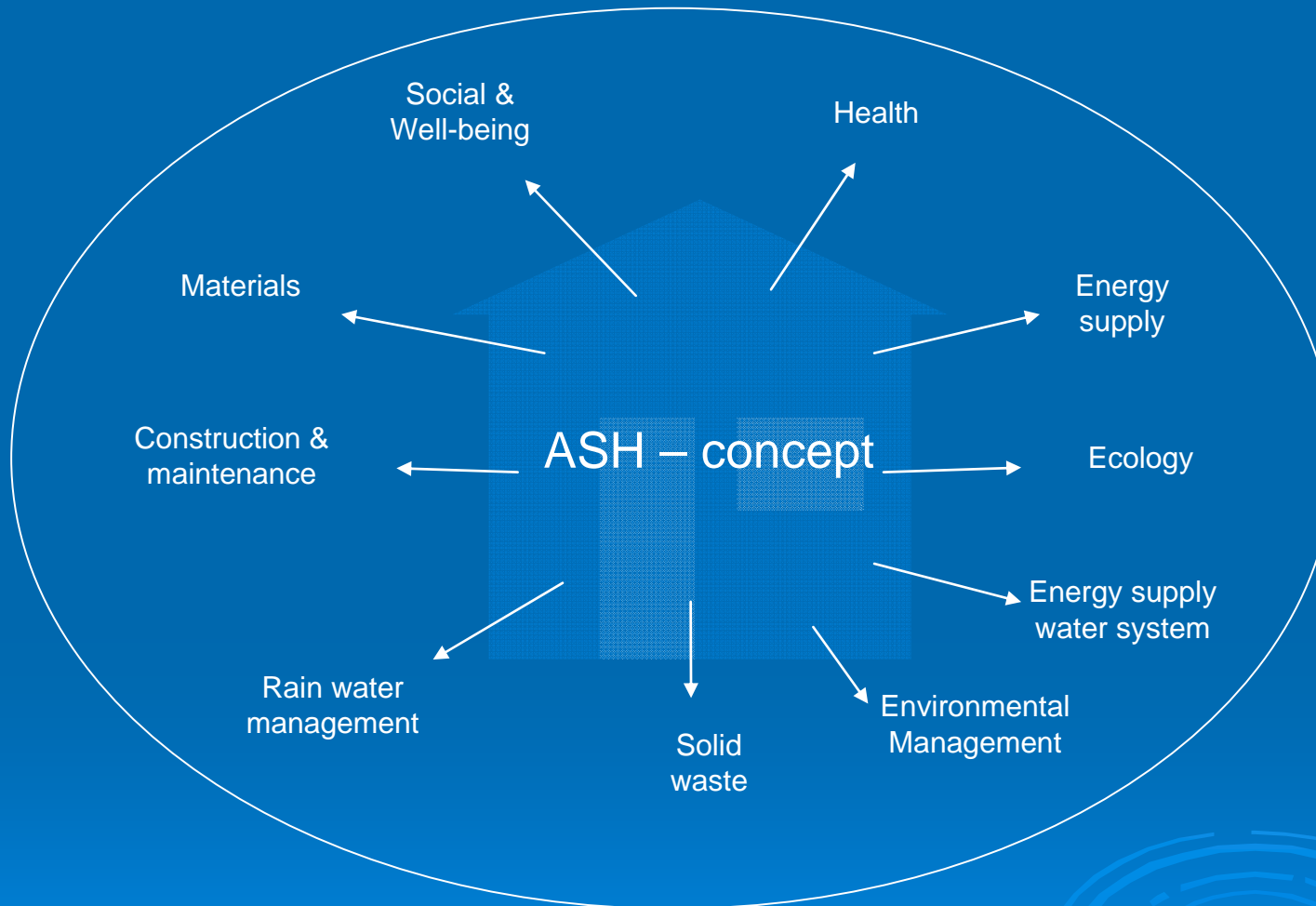
A talented working group
represented in:

- Germany
- Italy
- South Africa

in a sustainable way!



1. Design principles of the ASH-concept





2. The Code for Social Sustainable Homes

What is the Code?

The Code for sustainable homes is a tool that has been developed to enable a step change in sustainable building practice for new homes

The Code: a set of sustainable design principles

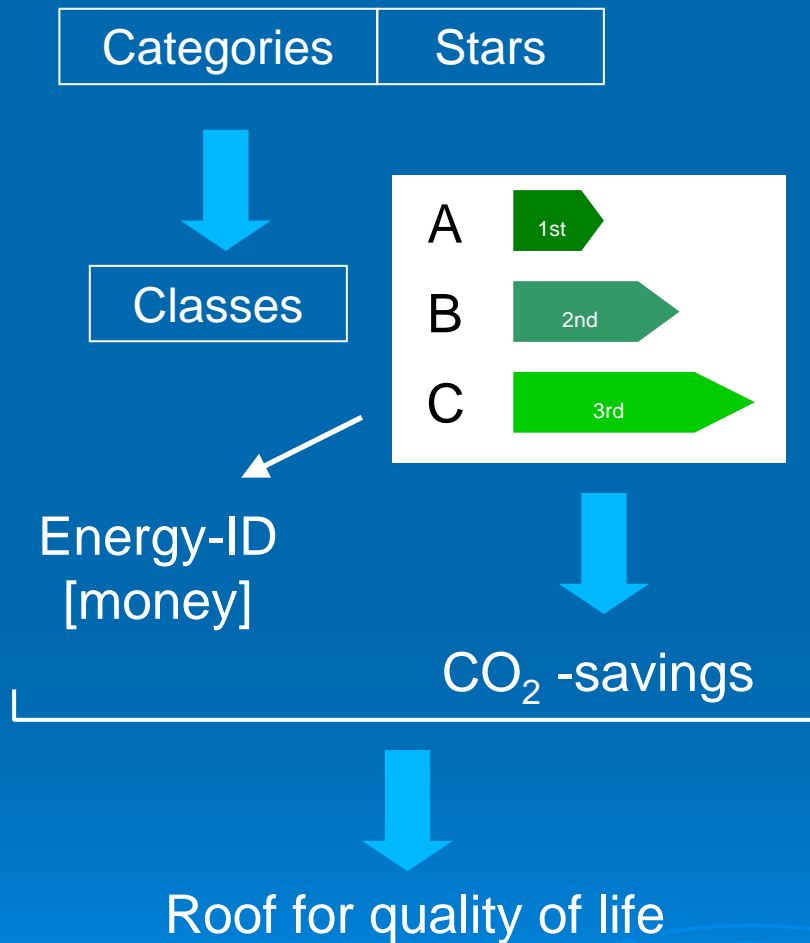
- ✓ Energy / CO2
- ✓ Energy water supply
- ✓ Materials
- ✓ Rainwater management
- ✓ Solid waste
- ✓ Pollution management
- ✓ Health
- ✓ Construction and maintenance
- ✓ Social & Well-being

Categories



2. The Code for Social Sustainable Homes

How does the Code work?



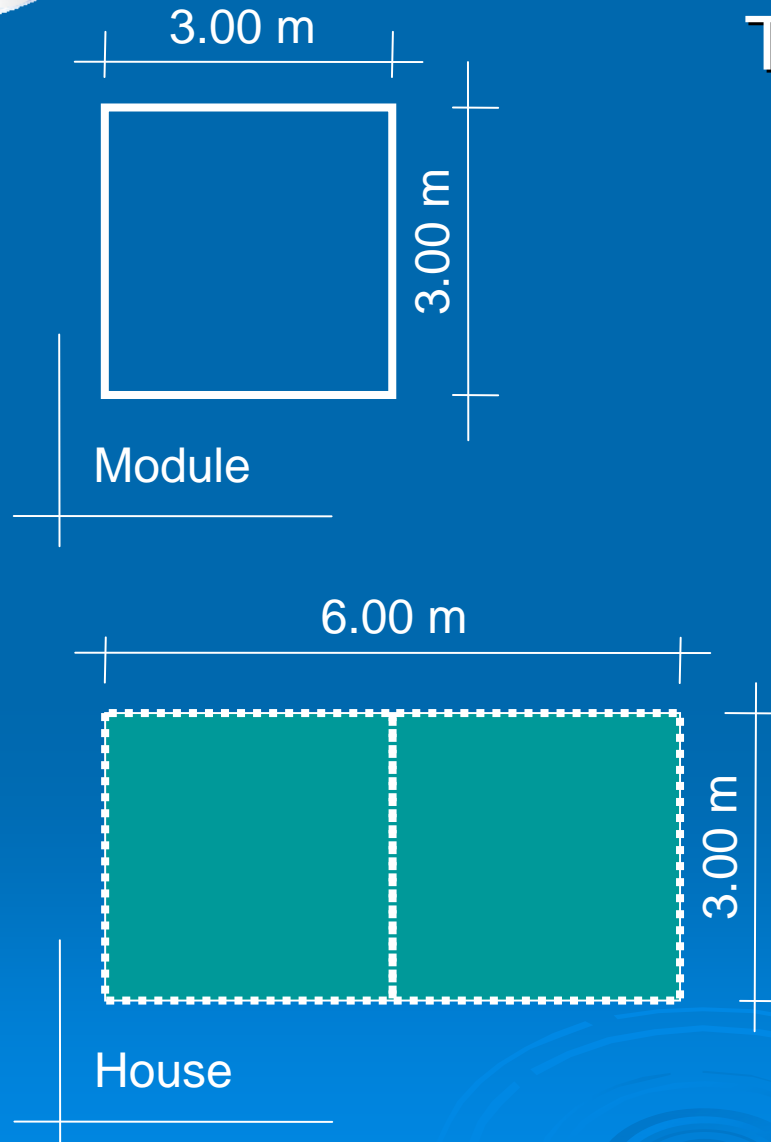
The Code:

A mark of Quality for
climate protection and
social and Well-being



3. The ASH-concept “African Sustainable House”

The modular element

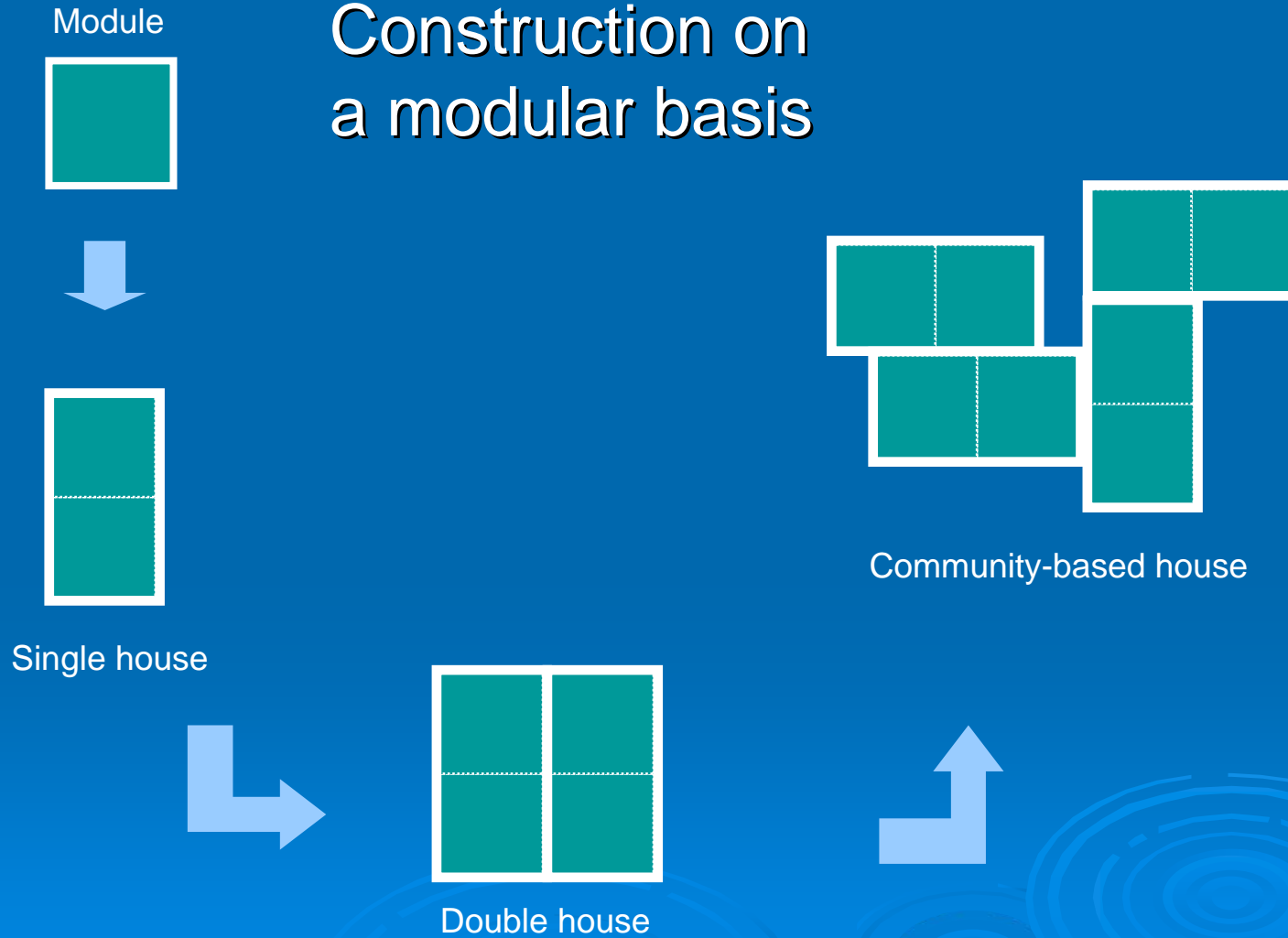


- cost efficiency
- rapidity of assembly
- low-energy consumption
- easy house extension
- standardisation for empowerment



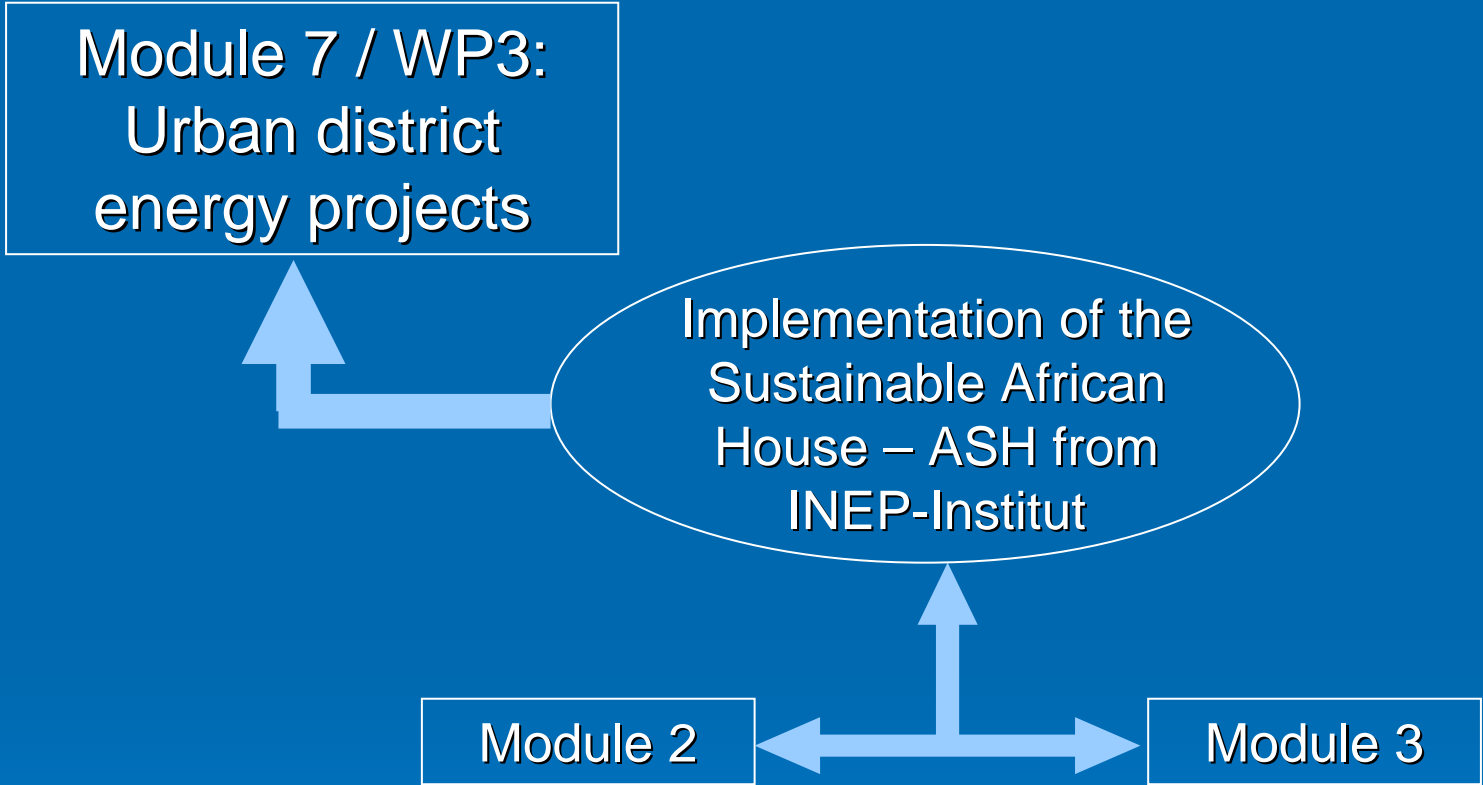
3. The ASH-concept "African Sustainable House"

Construction on a modular basis



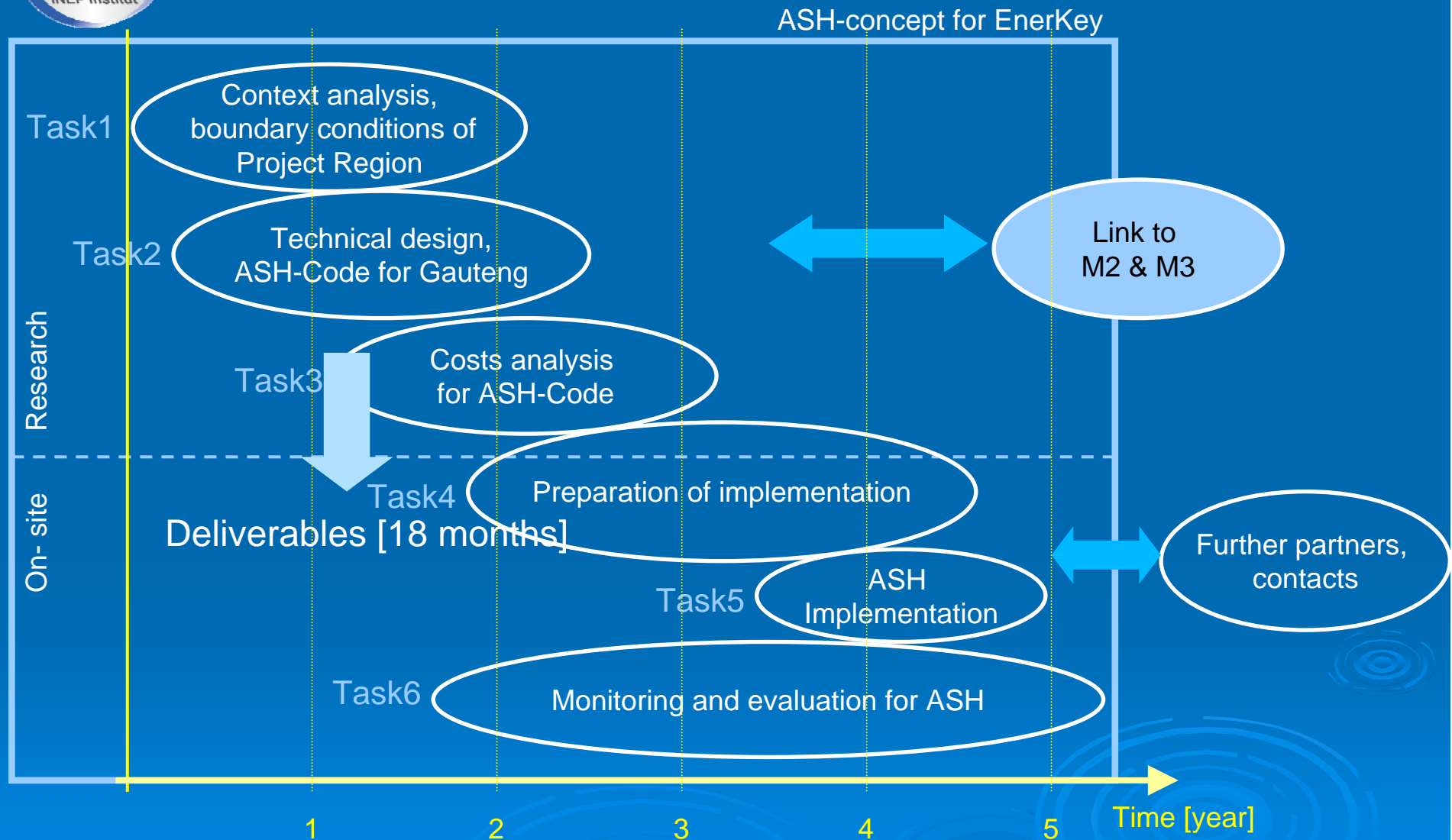


3. The ASH-concept for EnerKey





3. The ASH-concept for EnerKey





4. Deliverables [18 months]

Task1

Analysis of the socio-economical, ecological, political context in cooperation with other project partners



Report

- Description of the context and project Region Gauteng
- Key decision-making for the ASH system to develop

Task2

Technical design of ASH-code for the Gauteng Region



Report

- Description of the ASH-concept suitable to people concerned
- Detailed plans of construction relating categories
- Integration of Energy-saving systems



4. Flexibility of the Code – a dynamic process

The Code is not a static tool:
rather it is a dynamic concept



- a learning process
- a work in progress



Integration of the founding from
the analysis of the context in the
project Region Gauteng, through
out the collaboration with other
partners of modules



Thank you!

The ASH-concept...



...because the man is the main concern!

office-hh@inep-institut.org

bernd.heins@inep-institut.org